

MX^D SERIES

The evolution of 40+ years of experience

SIMPLICITY • RELIABILITY • MODULARITY • SERVICEABILITY

LARCAN 8-VSB TRANSCODER EXCITER

Selects and Corrects 8-VSB DTV Signal

A Complete Signal Regenerator For Digital Translators



for

***DTV Broadcast Repeaters / Translators, Cable,
Microwave & STLs***

Input:

- Frequency Agile
- Channels 2 through 69
- Regenerates Input Signal to Broadcast Standards
- External Standard 44MHz 8-VSB IF Loop on Rear Panel for Added Versatility
- Ability to Manually Pre-correct Linear Distortion
- Simple Front Panel Display and Menu
- **Optional ASI Input*

Output:

- Frequency Agile
- Channels 2 through 69
- Field Proven Stability
 - Output Power Stability
 - Frequency Stability
 - Temperature Stability
- 24 X 7 Factory Support

LARCAN

LARCAN USA • 1390 OVERLOOK DRIVE • LAFAYETTE, CO 80026

TEL: 303.665.8000 • FAX: 303.673.9900 • E-MAIL: SALES@LARCAN.COM

WWW.LARCAN.COM

MX^D SERIES

The evolution of 40+ years of experience

SIMPLICITY • RELIABILITY • MODULARITY • SERVICEABILITY

LARCAN 8-VSB TRANSCODER EXCITER SPECIFICATIONS

VSB DECODER

RF Input Frequency Range	54-806 MHz
RF Input Connector	"F" Type
RF Input Impedance	75 Ohms
RF Input Level	-78 to -8 dBm/6 MHz
White Noise Threshold of Errors	15.5 dB
Equalization Range	-8 to 42 usecs

VSB ENCODER

IF Output Connector	"F" Type
IF Output Impedance	75 Ohms
IF Bandwidth	6 MHz
IF Output Frequency	44 MHz
Linear Pre-Correction Capability	31 Taps

ASI INPUT (*Optional)

Interface	MPEG ATSC Compliant ASI
Bit Rate	2Mbps to 19.39Mbps
Symbol Clock Rate	10.762238 MHz
Impedance	75 ohms

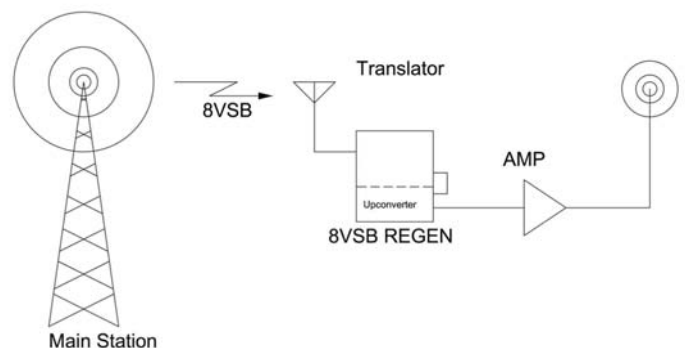
RF UPCONVERTER

IF Input Connector	"F" Type
IF Input Impedance	75 Ohms
IF Input Bandwidth	6 MHz
IF Input Frequency	44 MHz

RF Output Frequency Range	54-806 MHz	(Terrestrial Broadcast Channels 2 through 69)
RF Frequency Accuracy	± 10 kHz	
RF Carrier Phase Noise	-101 dBc/Hz	(@20kHz Offset)
RF Output Connector	"F" Type	
RF Output Impedance	75 Ohms	
RF Output Level Range	12 dBm	
RF Output Adjacent Channel Splatter	40 dB	(@ first 500kHz rel. to "flat top")
RF Output Inband SNR/MER	27 dB	

SYSTEM SPECS

Temperature Range	0-45 °C
Humidity	up to 95% non-condensing
Altitude	11000 feet, AMSL
AC Power Supply Input Voltage	120/240 VAC
AC Power Supply Input Frequency	50/60 Hz
Total Power Consumption	40 Watts
Enclosure Height	1.75 Inches
Enclosure Width	19 Inches
Enclosure Depth	9 Inches



LARCAN